

Blast chiller for catering

LAINOX[®]
Cooking System

031

3 x 1/1 GN

GENERAL FEATURES

- External sides and top in AISI 304 18/10 stainless steel th. 0.6mm (Scotch-Brite satin finish)
- AISI 304 18/10 stainless steel door th. 0.8mm (Scotch-Brite satin finish)
- Internal covering completely radiated in AISI 304 18/10 stainless steel
- Internal base for containment
- High-density expanded polyurethane insulation (about 42 kg/m³), without HCFC
- Copper - aluminum evaporator, protected with non - toxic epoxy resins through cataphoresis painting systems
- Copper condensing coil with high heat yield aluminium fins
- Anti-condensate resistance positioned on the box under the magnetic gasket
- Ergonomic handle for the complete length and magnetic gaskets on the 4 sides of the door

INTERNAL SET-UP

- Slides in 18/10 stainless steel encased on the sides of the room, easily removable for washing
- Core probe

REFRIGERANT UNIT

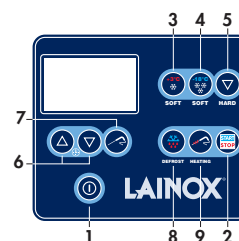
- Fans with indirect flow onto the product
- Hermetic compressor
- R404A refrigerant liquid
- Evaporators with large exchange surfaces, for high cooling efficiency
- Manual defrosting device and condensate evaporation system without use of electrical energy

COMMANDS, CONTROLS AND SAFETY DEVICES

- Control and command circuit board equipped with high-visibility custom display, which highlights the status of the appliance at all times
- Circuit breaker for compressor protection

OPTIONS / ACCESSORIES

- Version with remote unit
- Condensing unit with water cooling unit
- Revolving castors
- Printing kit
- Probe heated for easy extraction



S VERSION

- 1 - Main switch ON/OFF
- 2 - Start/Stop of a chilling phase
- 3 - Select chilling +3°C SOFT
- 4 - Select freeze -18°C SOFT
- 5 - Select HARD chilling (+3°C) or freeze (-18°C) cycle
- 6 - Time or chilling/freezing cycle setting
- 7 - Select for chilling/freezing cycle per probe
- 8 - Display of temperature of evaporator probe during operation. Start defrosting (with unit in STOP mode) with long press.
- 9 - Heating for shaft probe extraction (for freezing programmes)

Blast chiller for catering

LAINOX[®]
Cooking System

031

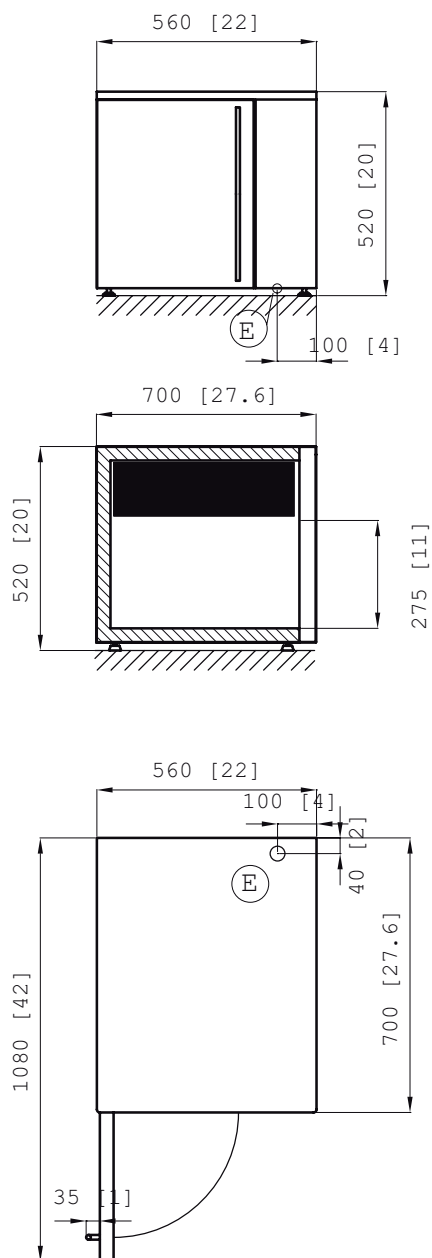
3 x 1/1 GN

Model		ABM 031
Control type		S
Dimensions (W x D x H)	mm	560 x 700 x 520
Door opening width	mm	330
Door opening height	mm	275
Internal depth	mm	600
Thickness	mm	35
Climatic class		ST
Chilling cycle	°C	+90 → +3
Freezing cycle	°C	+90 → -18
Chilling capacity	90' kg	8
Freezing capacity	240' kg	5
Hour yield in freezing	kg/h	-
Refrigerant	gas	R404A
Refrigeration capacity	(*) W	487
Electric power supply	V/~ / Hz	230 / 1 / 50
Input electric power	(°) W	587
Compressor	HP	1/2
Max. absorbed current	(°) A	3,4
Setting up	n°	3 x 1/1 GN
Distance between layers	mm	80
Net weigh	kg	47
Noise level	dB(A)	< 70

for Mod. ___ R ___ (*) temp. evap. -10°C temp. cond. +45°C / (°) temp. evap. 0°C temp. cond. +55°C
for Mod. ___ M ___ (*) temp. evap. -25°C temp. cond. +45°C / (°) temp. evap. -10°C temp. cond. +55°C

031

3 x 1/1 GN



ⓔ CONNESSIONE ELETTRICA
ELECTRICAL CONNECTION
DIMENSIONI mm
DIMENSIONS [in]

I dati riportati sul presente documento sono da ritenersi non vincolanti. L'azienda si riserva di apportare modifiche tecniche in qualsiasi momento. The specifications shown in this document are to be considered not binding. The company reserves the right to make technical changes at any moment. Die auf dieser Unterlage angegebenen technischen Daten sind als unverbindlich anzusehen.
Die Firma behält sich das Recht vor zu jeder zeit technische Änderungen vorzunehmen. Les données techniques sur ce document ne doivent pas être considérées contraignantes. La société se réserve le droit d'apporter des modifications techniques à tout moment. Los datos técnicos indicados en el presente catálogo no son vinculantes. La empresa se reserva el derecho de efectuar modificaciones sin previo aviso.