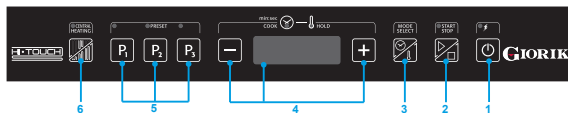


ST30

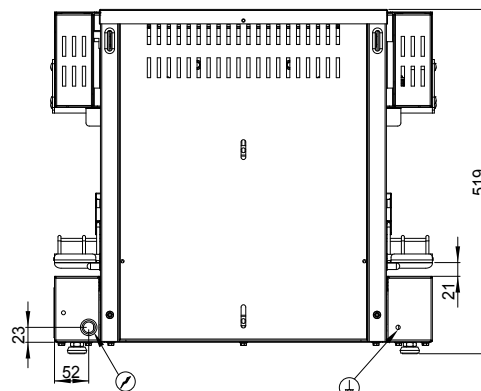
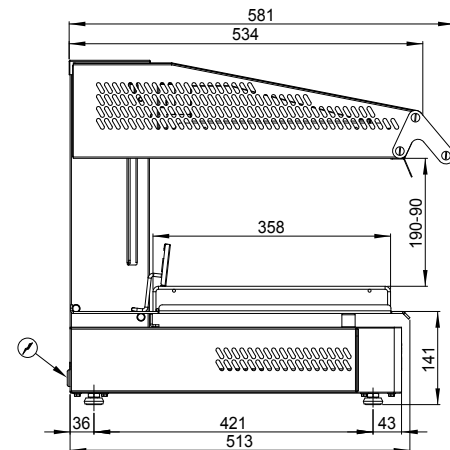
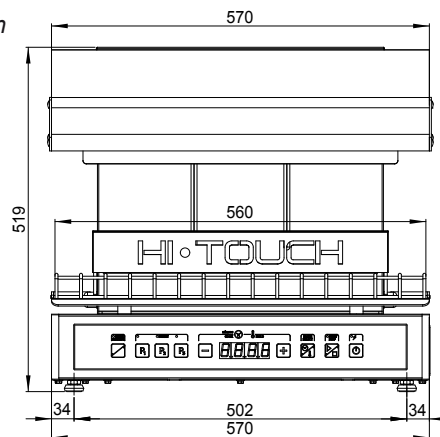
FAST SALAMANDERS HI-TOUCH



- Exclusive patented heating system.
- Cooktop in stainless steel grill.
- Wall support standard on all units.
- Dish detection function.
- HOLD function.
- Touch screen.
- Possibility of storing three different cooking programmes which can be selected by means of the keys P1, P2 or P3.



- 1 On/off switch.
- 2 Start/stop button for cooking/maintenance cycles.
- 3 Selection button for cooking mode (timed) or maintenance mode (unlimited duration).
- 4 Timer setting (max 20' in cook mode) and selection of maintenance among 8 levels in a temperature range from 40 to 70°C.
- 5 Setting and selecting Cooking program.
- 6 On/Off button for the heating elements.



GENERAL TECHNICAL DATA

| | |
|---------------------------------------|---------------------|
| Package dimension (wxdxh) | cm 68x65x73 |
| Package volume | m ³ 0,32 |
| Weight | kg 69 |
| Oven chamber power | - |
| Absorbed power | kW 4,5 |
| Power supply voltage | 3N 400V 50Hz |
| Chamber capacity | - |
| Distance between trays | - |
| Cooking chamber net dimensions(wxdxh) | - |